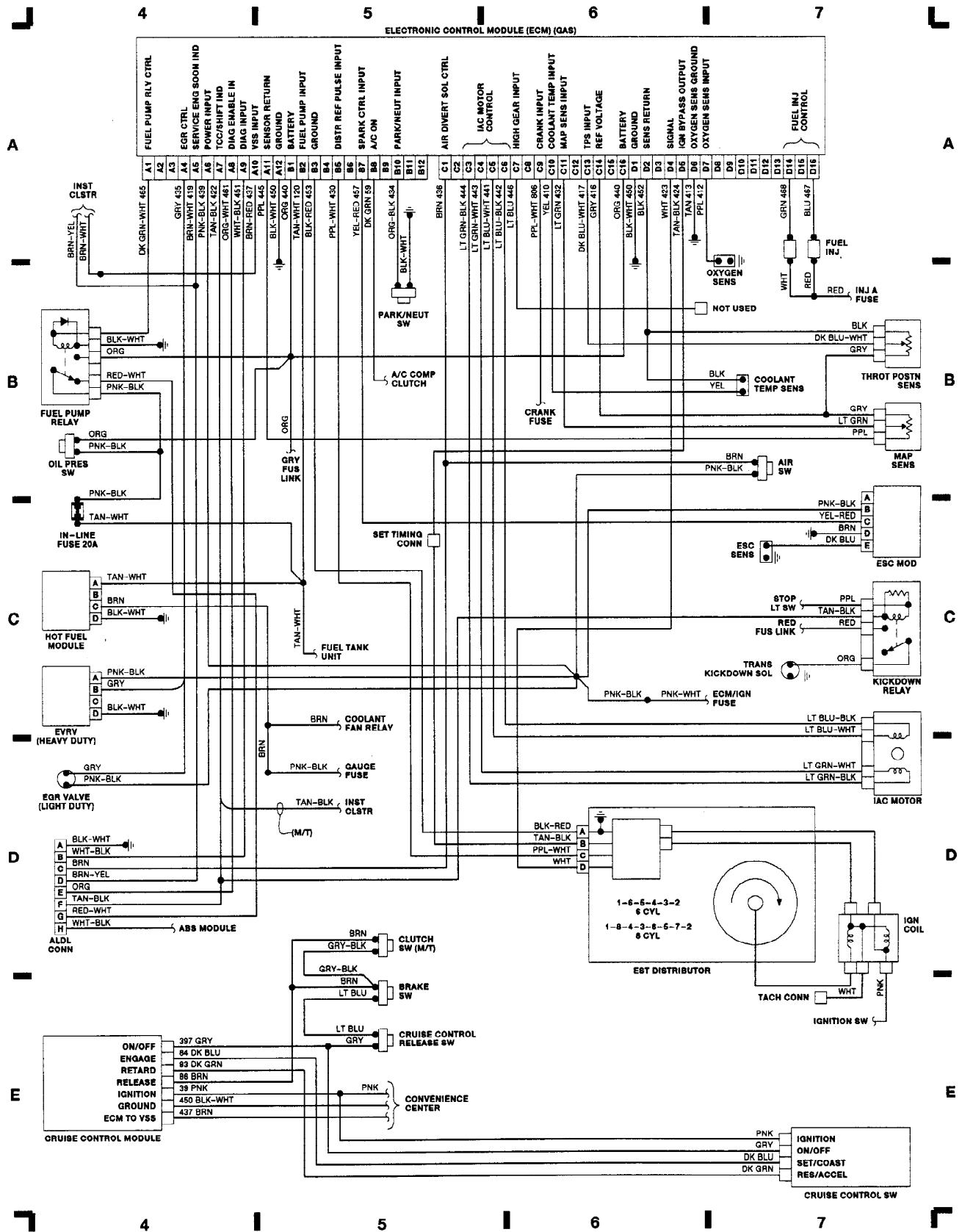


Fig. 2: Electronic Control Module (ECM) (Gas) & Cruise Control

1990 Chevrolet Pickup K1500



90F03732