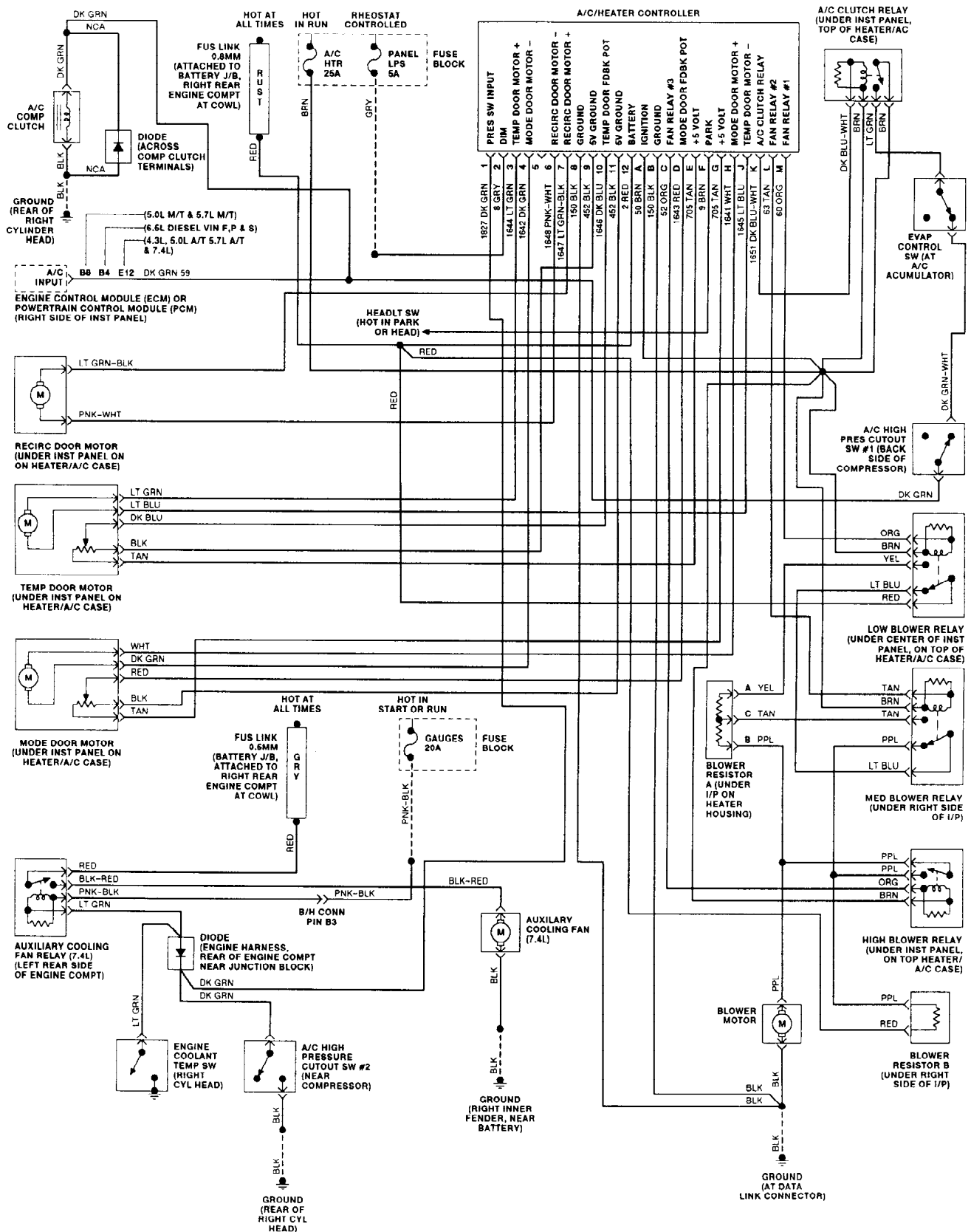


Fig. 18: Manual A/C-Heater System Wiring Diagram ("C" & "K" Series)

1994 Chevrolet Pickup K1500



94A37549