

PDM-SXXXX-XXX

SPECIAL (CONSULT FACTORY)
OMIT IF NONE

SEAL OPTION
0-NO SEAL
1-SEAL

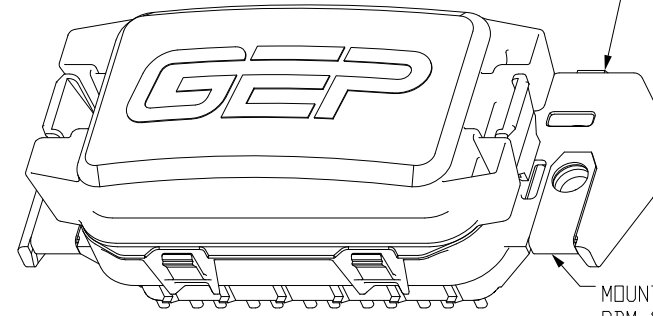
COVER / TETHER OPTION
0-NO COVER / NO TETHER
A-STANDARD COVER / NO TETHER
B-STANDARD COVER / TETHER
C-PLAIN COVER / NO TETHER
D-PLAIN COVER / TETHER

COMPONENT INSERT
A-(72) 280 SERIES TERMINAL POSITIONS

MOUNTING
1-SIDE/TOP MOUNT 6.5MM
2-SIDE MOUNT W/INSERT
3-TOP MOUNT W/INSERT
4-SIDE/TOP MOUNT 10.5MM

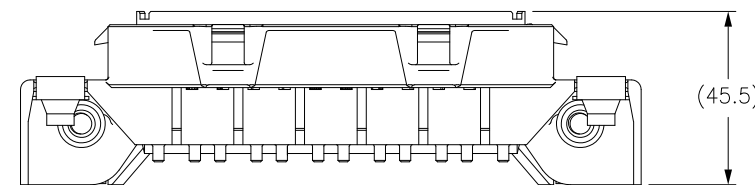
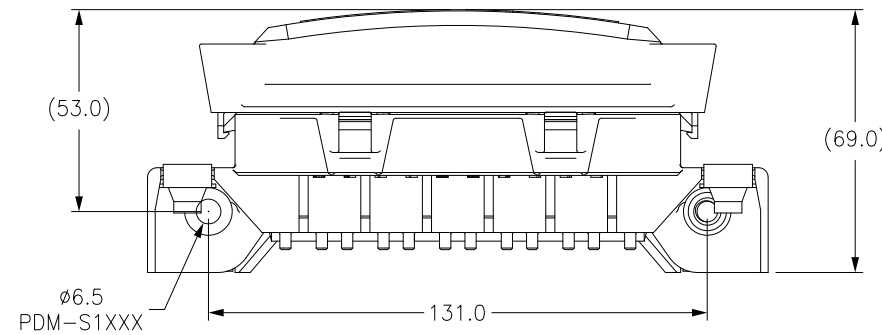
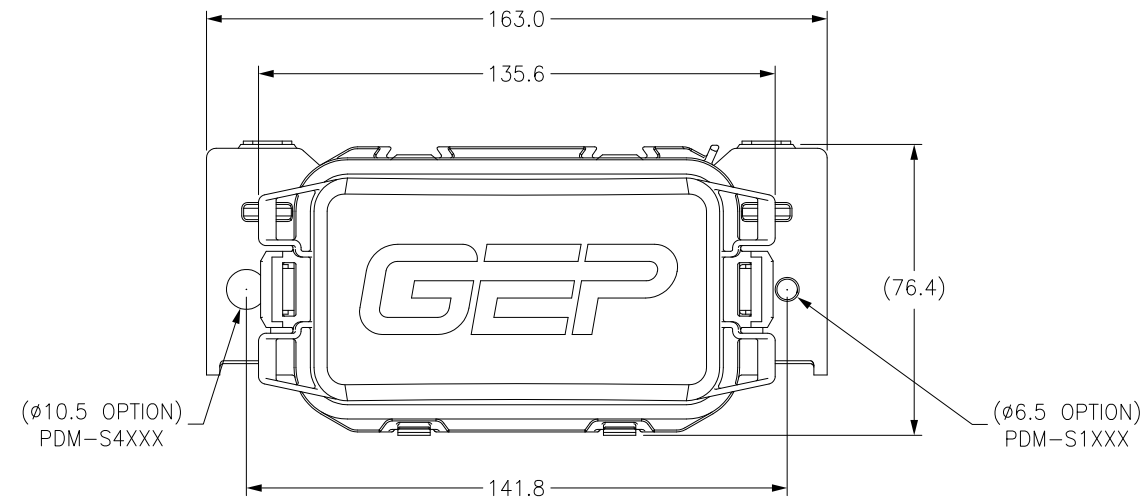
PDM-S1XXX
PDM-S2XXX
PDM-S3XXX
PDM-S4XXX

MOUNTING INSERT
LOCATION PDM-S2XXX
M6 X 1.0

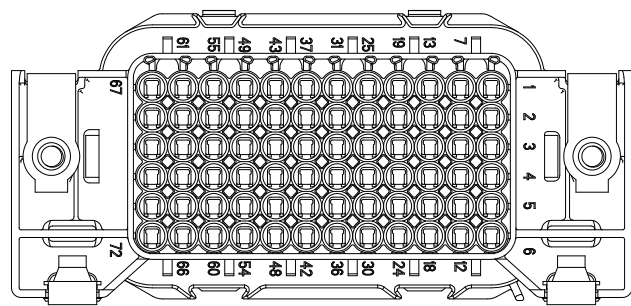


MOUNTING INSERT LOCATION
PDM-S3XXX
M6 X 1.0

PART NO. PDM-SXXXX (SALES)		SHEET 1 OF 2		
TITLE POWER DISTRIBUTION MODULE - MODEL S				
CUSTOMER STANDARD				
METRIC (mm)			SCALE 1:2	
REV #	REVISION	DATE	BY	APPROVED
0	UPDATE FORMAT	01-14 2014	RR	KS
1	ADDED PDM-S4XXX OPTION	03-26 2014	RR	KS



PDM-SXAXX



TERMINAL NUMBERING

NOTES:

- BLOCK & COVER MATERIAL: PBT POLYESTER
- BLOCK & COVER FINISH/COLOR: MATTE/BLACK
- TERMINAL MANUFACTURER-280 SERIES:
DELPHI METRI-PACK 280 SERIES - TANG VERSION
- CORRECT TERMINAL SEALS AND/OR CAVITY PLUGS
MUST BE USED TO INSURE A SEALED UNIT
REFER TO SHEET 2



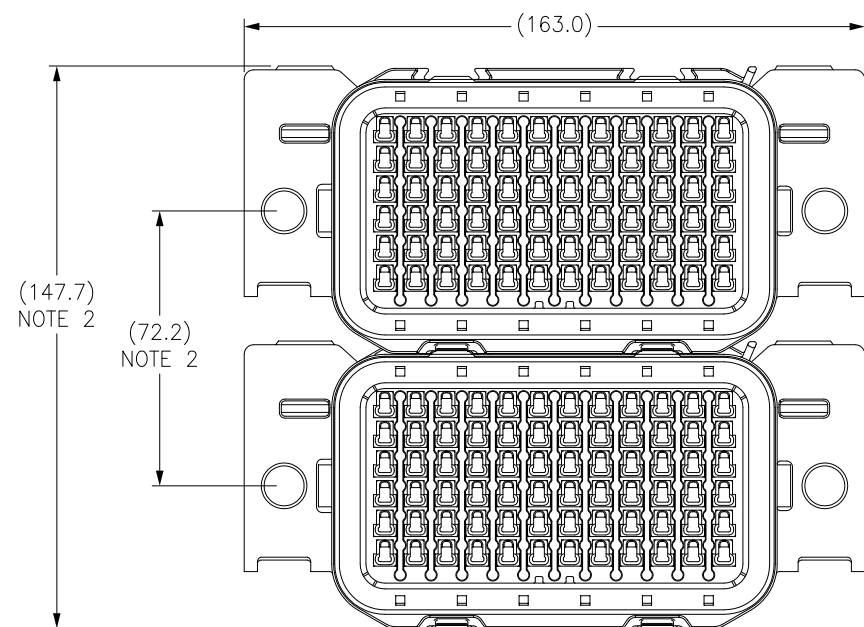
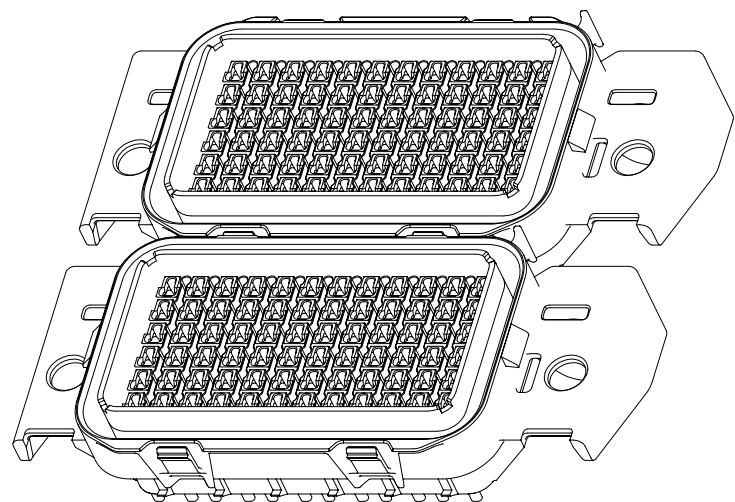
16830 Pheasant Drive
Brookfield, WI 53005

CONFIDENTIAL - The information contained in this document is the property of GEP Power Products. It is not for public disclosure. Possession of the information does not convey any right to loan, sell or disclose the information. Unauthorized reproduction or use of the information is prohibited. This document is to be returned to GEP Power Products upon completion of the purpose for which it is loaned or upon request.

COPYRIGHT - GEP Power Products
This is an unpublished work. The disclosure of this work is limited to a select personnel. Further dissemination or disclosure to the public is PROHIBITED. This unpublished work is protected by Federal Copyright law and all rights thereunder are reserved by GEP Power Products.

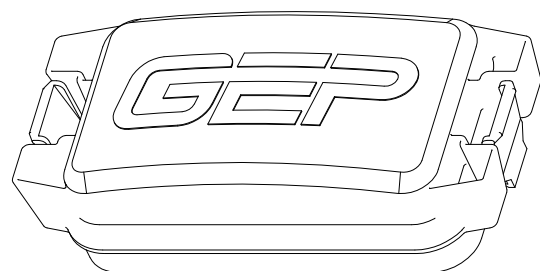
TOLERANCES UNLESS OTHERWISE SPECIFIED		THIRD ANGLE PROJECTION
METRIC TOL	ENGLISH TOL	
1 PL DEC.=±.25	2 PL DEC.=±.01	ANGULAR TOL= ±2° FRACTION TOL= ± 1/64 IN
2 PL DEC.=±.13	3 PL DEC.=±.005	

'GANGED' OPTION

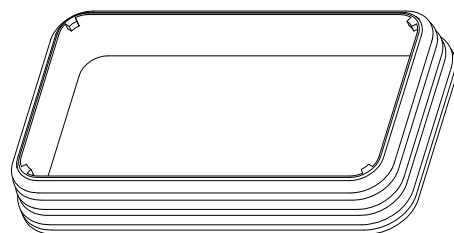


TERMINALS / SEALS FOR PDM-SXAXX (FOR REF. ONLY)				
DELPHI 280 METRI-PACK TERMINALS				
PART #	CABLE RANGE (mm ²)	MATERIAL	PLATING	
12077413	5.0	TIN BRASS	TIN	
12129493	2.0-3.0	TIN BRASS	TIN	
12077411	0.8-1.0	TIN BRASS	TIN	
12084201	0.35-0.50	TIN BRASS	TIN	
12176387	5.0	BERYLIUM COPPER	SILVER/NICKEL	
12176388	2.0-3.0	BERYLIUM COPPER	SILVER/NICKEL	
12176389	0.8-1.0	BERYLIUM COPPER	SILVER/NICKEL	
DELPHI 280 METRI-PACK CABLE SEALS (FOR REF. ONLY)				
PART # REEL	PART # LOOSE	CABLE DIAMETER	MATERIAL	COLOR
12015360	12015193	3.45-4.3	SILICONE	BLUE
12015359	12010293	2.81-3.49	SILICONE	LT. GRAY
12015284	12015323	2.03-2.85	SILICONE	GREEN
12041352	12041351	2.03-2.42	SILICONE	TAN
12089444	12089679	1.6-2.15	SILICONE	PURPLE
12034365	12015899	1.29-1.70	SILICONE	DK. RED
	12010300	PLUG	SILICONE	GREEN

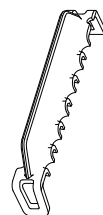
PART NO.	PDM-SXXXX (SALES)	SHEET 2 OF 2
TITLE	POWER DISTRIBUTION MODULE - MODEL S	
CUSTOMER	STANDARD	
METRIC (mm)		SCALE 1:2



PDM-SC
COVER



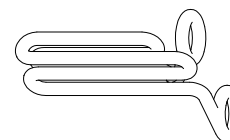
PDM-SS
SEAL



PDM-ST1
280 TPA



PDM-SK
DIODE KEY
(SAME AS PDM-TK)



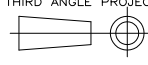
PDM-SCT
COVER TETHER
(NOT TOOLED)



16830 Pheasant Drive
Brookfield, WI 53005

CONFIDENTIAL - The information contained in this document is the property of GEP Power Products. It is not for public disclosure. Possession of the information does not convey any right to loan, sell or disclose the information. Unauthorized reproduction or use of the information is prohibited. This document is to be returned to GEP Power Products upon completion of the purpose for which it is loaned or upon request.

COPYRIGHT - GEP Power Products
This is an unpublished work. The disclosure of this work is limited to a select personnel. Further dissemination or disclosure to the public is PROHIBITED. This unpublished work is protected by Federal Copyright law and all rights thereunder are reserved by GEP Power Products.

TOLERANCES UNLESS OTHERWISE SPECIFIED		THIRD ANGLE PROJECTION 
METRIC TOL	ENGLISH TOL	
1 PL DEC.=±.25 2 PL DEC.=±.13	2 PL DEC.=±.01 3 PL DEC.=±.005	ANGULAR TOL= ±2° FRACTION TOL= ± 1/64 IN

NOTES:
1. IF ADDITIONAL MODULES ARE ADDED THESE DIMENSIONS INCREASE BY 72.2mm FOR EACH MODULE.